

VT 300-3 CU Control unit brochure



VT 300-3 CU control unit for DEKRA VT camera series

Rackmountable 19" control unit for various camera- and ROV systems

Applications

- > Perfectly applicable for the control of all DEKRA Visatec inspection cameras and inspection systems
- > Camera and crawler functions are controlled by the corresponding remote control

Features

- > Additional devices such as monitor and recorder can be connected to the video outputs of the control unit
- > The control unit is well protected in the case, portable by hand carrying strap
- > Benefit: 19-inch format, also suitable for all industrial cabinets



Technical specifications - VT 300-3 CU control unit

This document is for general information only, please consult the system manual for detailed specifications

Material case	Hardcover / PP
Dimensions	approx. (WxHxD) 545 x 190 x 485mm (case closed)
Weight	approx. 14kg incl. case (30.8 lbs)
Power supply	110/230 VAC
Operating temperature	0°C to 50°C (32°F to 122°F)
Operating humidity	10% to 80% relative air humidity (no condensation)

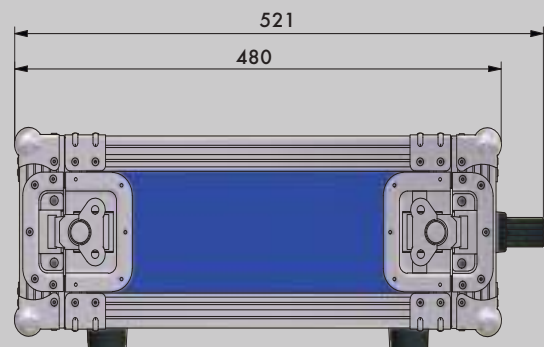
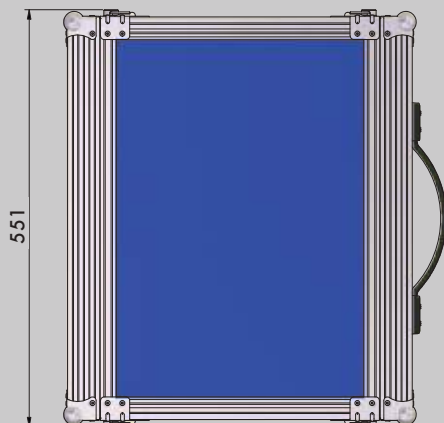
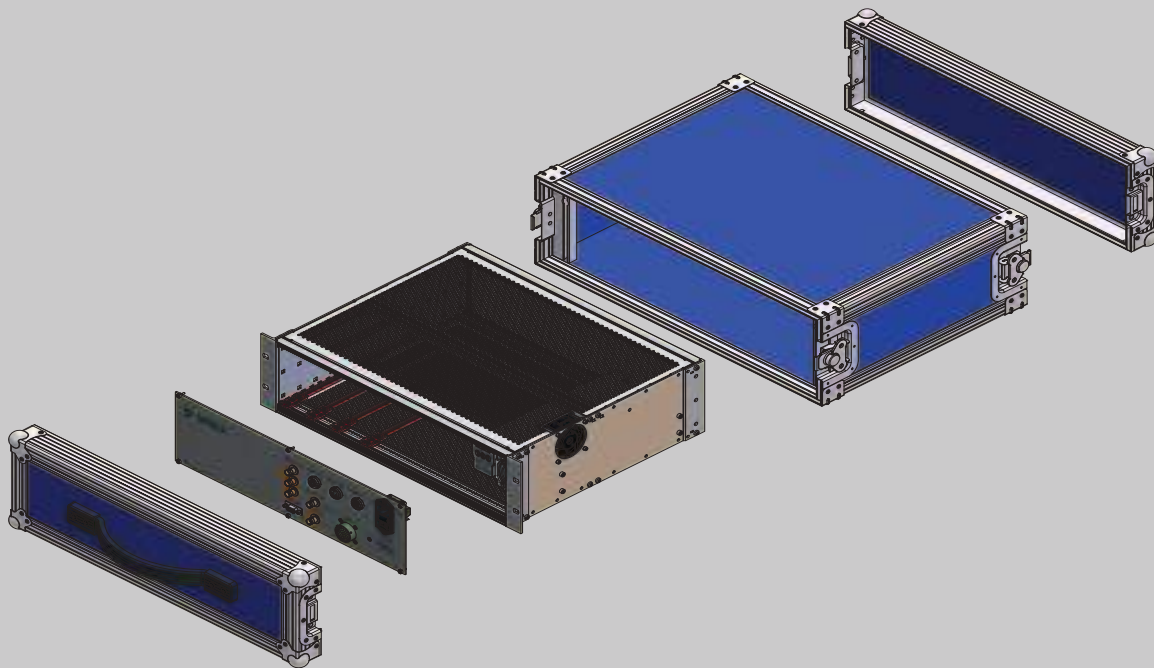
Connections:

2 x incremental encoders (only with textinsserter optional); 1 x RS232; 1 x keyboard input; 1 x camera input; 1 x remote control

Benefits:

Data display optional

* unit in mm



1 Control unit and remote control



Control unit
VT 300-3 CU



Remote control
VT 780-2 FB



Remote control
VT XLRAD PT FB



Remote control
VT 34 FW FB



Remote control
VT 34 FB

2 Cabling



VT 780 SKT



VT 72 HD SKT



VT 34 SKT

3 Camera and crawler



Camera
VT 360 PT HD series



Camera
VT 70 PTZ SD series



Camera
VT XLRAD series



Crawler
VT 34 MFW



Camera
VT 34 PT/VT 34 TBM4

Components, related products - and accessories



VT 300-3 CU control unit

Rack mountable or standalone control unit in 19-inch case to operate different camera series and crawlers



VT 780-2 FB remote control

Handheld, removable remote control for camera control with all options for several types of cameras



VICOS text overlay system

Video text inserter with a wide functionality range for professional applications



Carrying case with handle

The control unit is well protected in a 19-inch case, portable by means of a hand strap - as rack-mountable, it is also suitable for all industrial cabinets.

Optional accessories



VT 780 SKT cable reel with wheels

Reel equipped with kevlar reinforced cable and extendable arm, standard length 50m



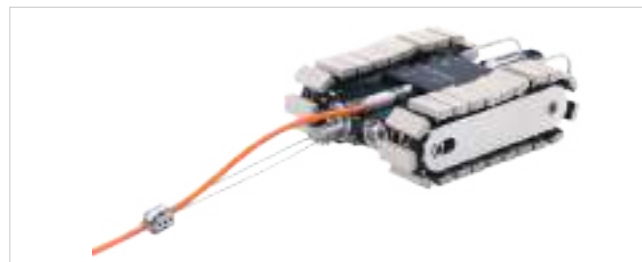
VT 360 PT HD camera

Watertight FullHD camera with pan/tilt function, integrated lighting, 2D/3D noise reduction, visibility enhancer with de-fog feature



VT 34 FW FB remote control

Remote control to operate the camera and the crawler on the control unit VT 300-3 CU



VT 34 MFW magnetic crawler

Extremely compact, watertight and maneuverable rover with integrated PT camera, available with various drive options

DEKRA Visatec GmbH

Gewerbepark 7, 87477 Sulzberg/See
Germany
Tel. + 49.8376.9215 0
info.dvg@dekra.com

www.dekra-visatec.com



On the safe side.