

VT 780 PTZ HD camera system brochure



VT 780 PTZ HD – FullHD inspection camera

Watertight FullHD camera with pan / tilt function / zoom function and integrated lighting, integrated 2D/3D noise reduction and image enhancer with de-fog function

Applications

- > All underwater inspections and monitoring applications
- > Nuclear applications (refueling - offloading - maintenance)
- > Industrial applications
- > Decommissioning applications

Features

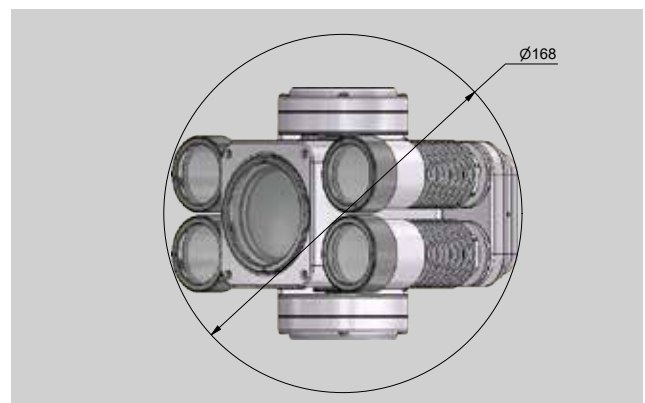
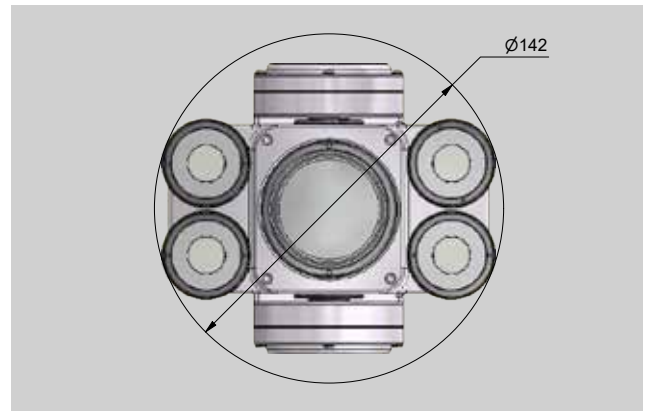
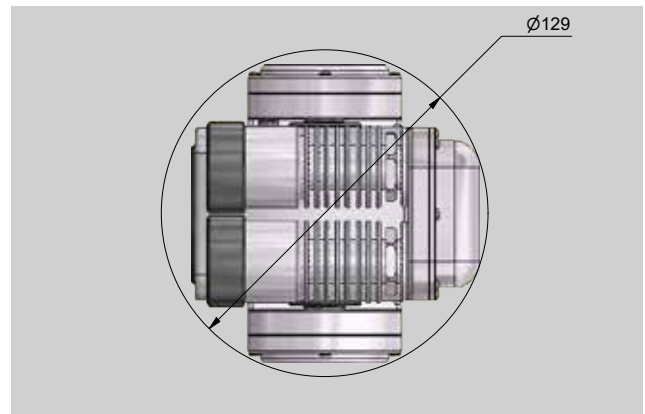
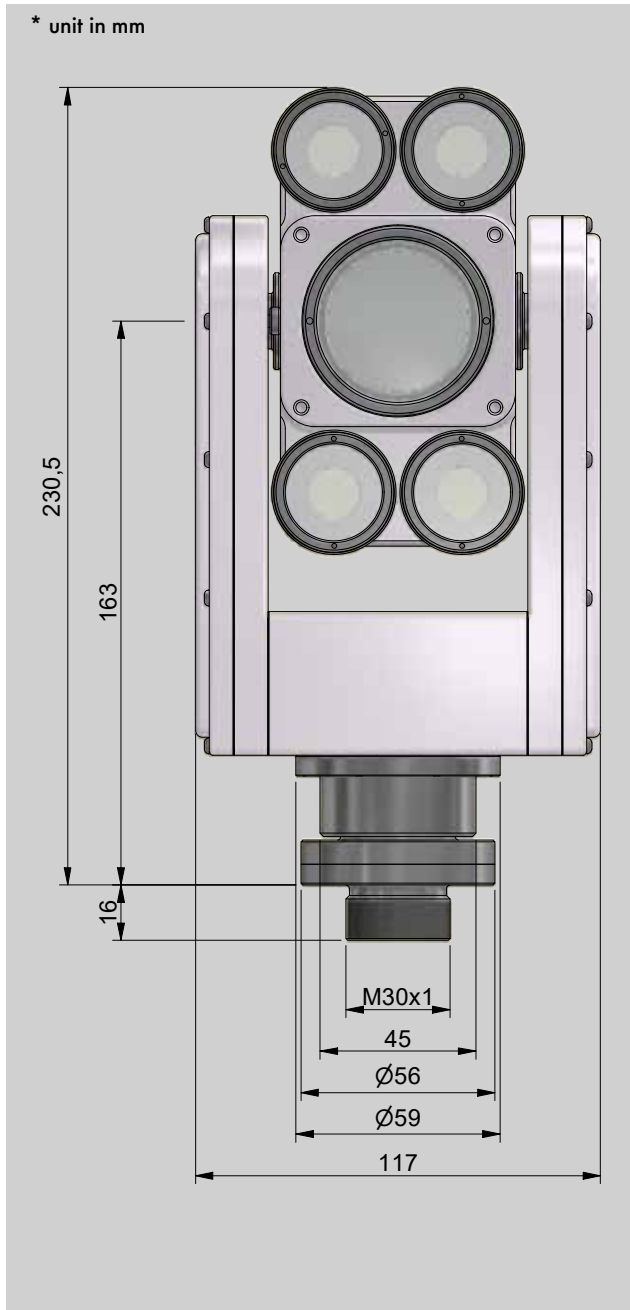
- > Robust and modular design
- > Zoom lens 30x optical / 12x digital
- > 1080p/60 fps Full-HD resolution
- > Radiation tolerant
- > Integrated LED lighting with up to 6 LEDs (4 flood, 2 spot)
- > Watertight up to 50 m
- > Slipping clutch
- > Optional with 2 line lasers (VT 780 PTZL HD)



Technical specifications - VT 780 PTZ HD camera

This document is for general information only, please consult the system manual for detailed specifications

Material	Anodized aluminium
Image sensor	Full-HD 1080p/60 fps; 1/2.8-type Exmor R CMOS Sensor
Resolution	2.38 megapixels
Minimum illumination	0.01lx
Video out	Y/Pb/Pr
Zoom	30x optical / 12x digital
Field of vision	63.1° (Wide) – 2.3° (Tele)
Laser modul for measurement applications	(optional)
Focus / Iris control	automatic or manual
Range - Pan	infinite
Range - Tilt	220°
Lighting	4 x LED Spots
Luminous flux	up to 6000 lm (lumen)
Dimensions	(LxWxH) 246,5 x 117 x 134 mm (9.7 x 4.6 x 5.3")
Weight	approx. 3kg (6.6 lbs)
Operating temperature	0°C to +60°C (32°F to 140°F)
Water tight	5 bar (72.5 psi) / 50 m (164ft)
Radiation resistance	7.000 rad/h (70 Gy/h) / Total 42.000 rad (420 Gy)



1 Camera



VT 780 PTZ HD

2 Cabling



VT 780 SKT

3 Control unit



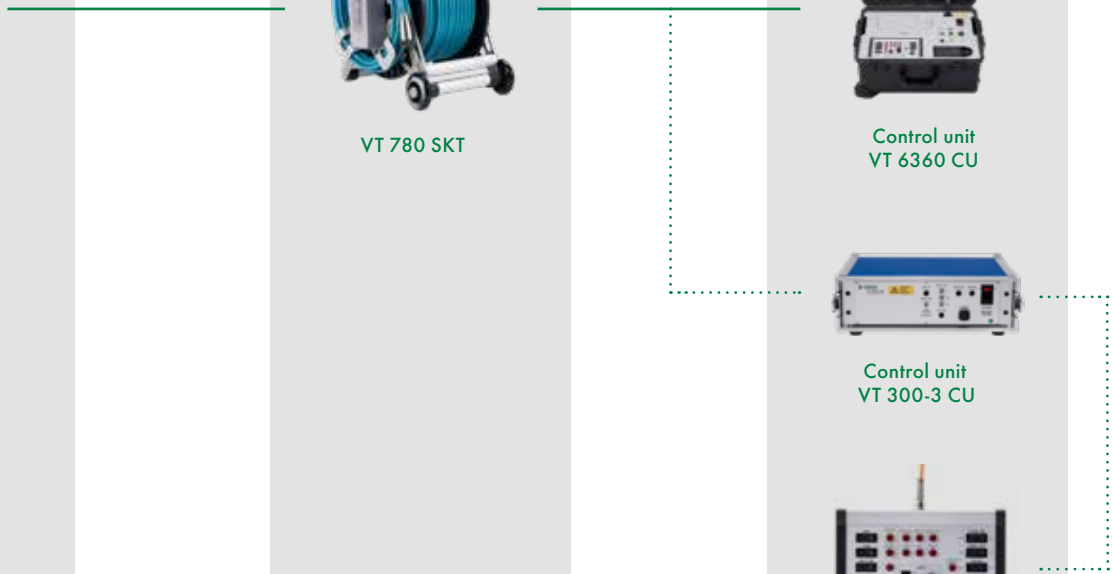
Control unit
VT 6360 CU



Control unit
VT 300-3 CU



Remote control
VT 780-2 FB



Components, related products - and accessories



VT 6360 CU control unit

Portable CU with integrated 21.5" monitor, text inserter, recording functionality and removable remote control



VT 300-3 CU control unit

Rack mountable or standalone control unit in 19-inch case for different camera series



VT 780 PTZL HD camera with 6-LED setup

Camera equipped with 4 floodlights for proper illumination of the surroundings and 2 spots for perfect lighting conditions in the distance



VT 780 PTZL HD camera with laser module

Laser generator to display reference lines for measurement software (available only with aluminium body)



VICOS text overlay system

Video text inserter with a wide functionality range for professional applications



VT 780 SKT cable reel with wheels

Reel equipped with kevlar-reinforced cable, standard length 50m and extendable arm

Optional accessories



Carbon poles - 29 or 42 diameter + accessories

Wired and non-wired carbon poles in various lengths for deployment of cameras and tools



Manhole holder

Versatile positioner for 29 or 42 mm carbon poles. Other different tripods, holders and mounting units available

DEKRA Visatec GmbH

Gewerbepark 7, 87477 Sulzberg/See
Germany
Tel. + 49.8376.9215 0
info.dvg@dekra.com

www.dekra-visatec.com



On the safe side.